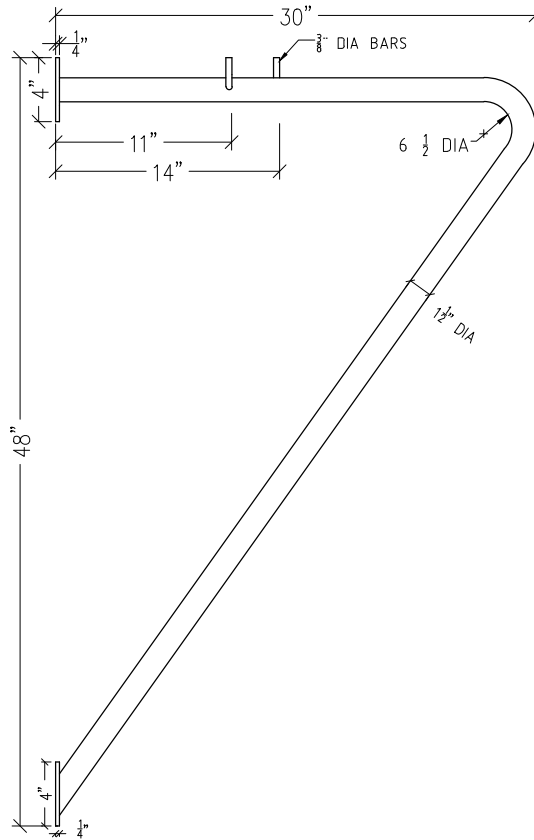
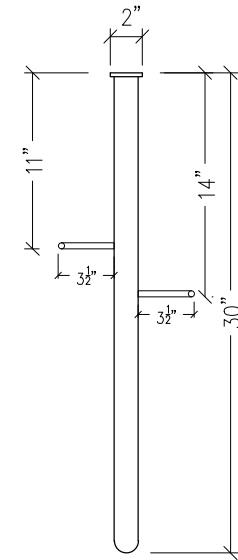


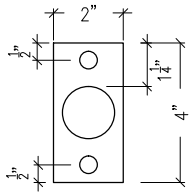
1 FRONT VIEW
1.01 SCALE: 1"=1'0"



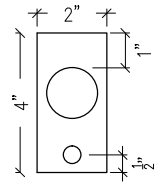
2 SIDE VIEW
1.01 SCALE: 1"=1'0"



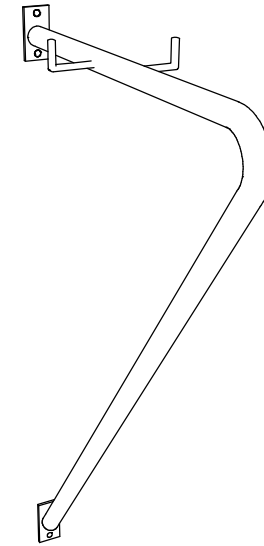
3 PLAN VIEW
1.01 SCALE: 1"=1'0"



UPPER PLATE
FRONT



LOWER PLATE
FRONT



4 ISOMETRIC
1.01 SCALE: NTC



Project:	Item Code:	Description:			Reviewed by :	Approved by :
	2UP-Lok	Wall Mounted Bike Rack				
Dimension:	Scale:	Draw by:	Sheet:	Date:		
48" X 30"H	AS INDICATED	JGM	1.01	2020.12.11		
				Page:		
				1 of 1		